

AIRBORNE BLADE ANTENNA C-Band

Type TS5200B



ELECTRICAL SPECIFICATIONS

- Frequency Range 5.0 to 5.4 GHz
- Polarisation linear
- Gain nom. 0 dBi
- Coverage omni directional
- Power Rating max. 10 Watts CW at sea level and 5 Watts CW at 10 km
- Impedance 50 Ohms
- VSWR better than 1.5:1

The rugged airborne antenna model S5200B is specially designed for applications onboard from aircrafts, drones and missiles. The antenna work alone or in multi antenna arrays with matching networks.

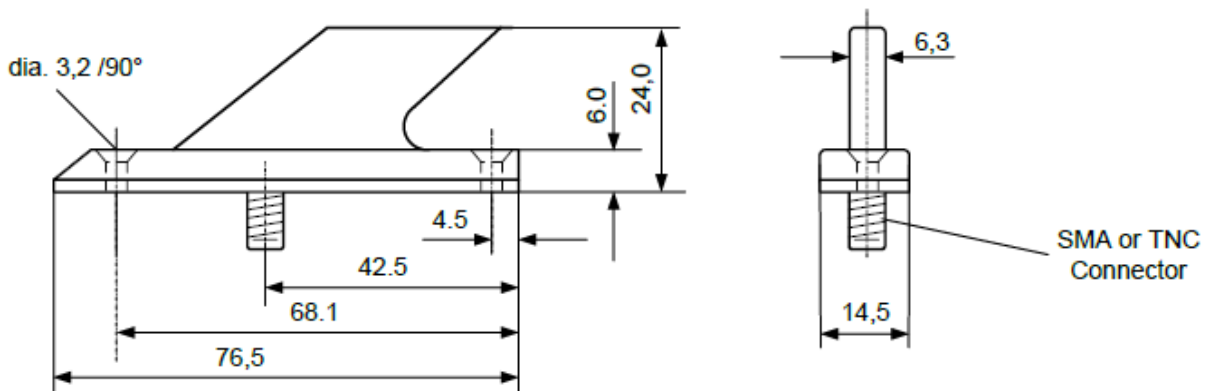
MECHANICAL SPECIFICATIONS

- Connector Type SMA female, optional TNC-female
- Antenna Height 24 mm (1 inch)
- Materials/Colours radome – high temperature PPA/beige Mounting plate – stainless steel
- Weight 28 g (1 oz) SMA, 33 g (1,2 oz) TNC

ENVIRONMENTAL SPECIFICATIONS

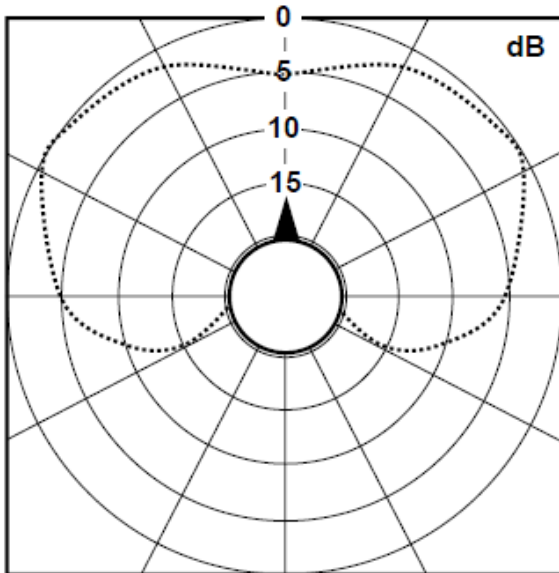
- Temperature Range -100°C to +210°C (-150°F to +410°F), continuously operating
max. 450 °C (842 °F) for 20 s
- Maximum Speed max. 2.5 mach at 15 km (50 000 ft) altitude

OUTLINE DIMENSIONS

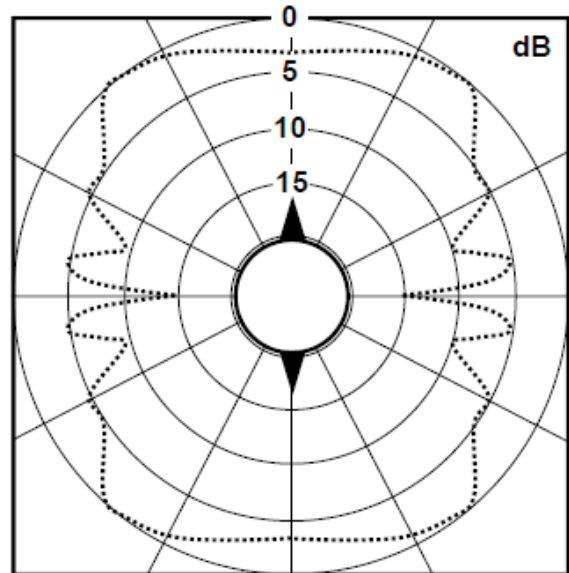


TYPICAL ROLL PLANE PATTERNS for BLADE ANTENNA TS5200B

1 Antenna at 5200 MHz /60 mm dia.

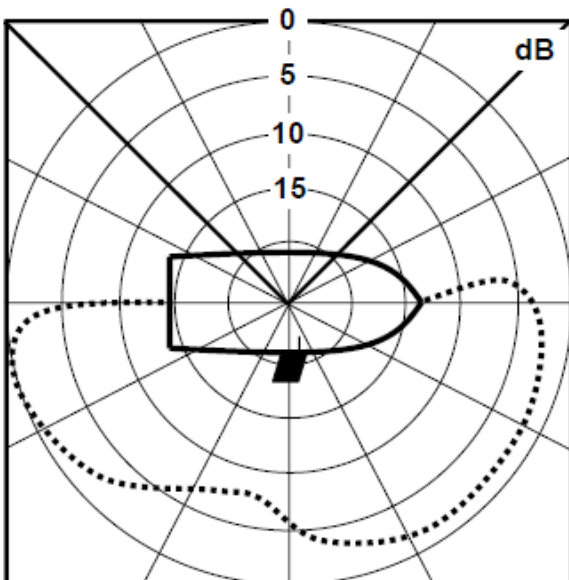


2 Antennas at 5200 MHz/60 mm dia.



TYPICAL YAW PLANE PATTERNS for BLADE ANTENNA TS5200B

1 Antenna at 5200 MHz/60 mm dia.



2 Antennas at 5200 MHz/60 mm dia.

